



X30 SERIES 30 WATT HIGH VOLTAGE DC/DC CONVERTERS



FEATURES

- ▶ **Customer Selects Output Voltage**
- ▶ Ultra Wide Input Ranges
(9-36Vdc , 20-60Vdc , 36-72Vdc)
- ▶ Efficiency 86% (typ.)
- ▶ Independently Isolated Outputs
- ▶ Six-Sided Shielded Case
- ▶ Remote On/Off Control
- ▶ Continuous Short Circuit Protection
- ▶ UL Certified Encapsulant Meets 94V-0 Flammability

The X30 Series of DC/DC converters accepts ultra wide input ranges of 9-36 Vdc, 20-60 Vdc, & 36-72 Vdc. Outputs are independently isolated. In the case of duals, up to 24 Watts may be taken from either output. All models will tolerate a short circuit indefinitely. Also included is a Pi input filter and remote on/off.

ELECTRICAL SPECIFICATIONS

Voltage Accuracy	+/- 1%	Input Filter	Pi Network
Line Regulation	+/- 0.2 %	Efficiency	86% (typ.)
Load Regulation	+/- 0.3%	Short Circuit Protection	Continuous
Output Ripple	< 0.3% P-P	Switching Frequency	120 kHz
		Isolation (Input-Output(1)-Output(2)-Case)	1000 Vdc
		Input / Output Capacitance	< 160pF

GENERAL SPECIFICATIONS

Temp. Stability	+/-0.02%/°C	Logic Shutdown	Logic 0 (on)
Temp. (Operating , Case)	-45 to +85°C	EMI/RFI	Six Sided Shield
Temp. (Storage)	-55 to +100°C	Derating	None
		Cooling	Free-Air Convection

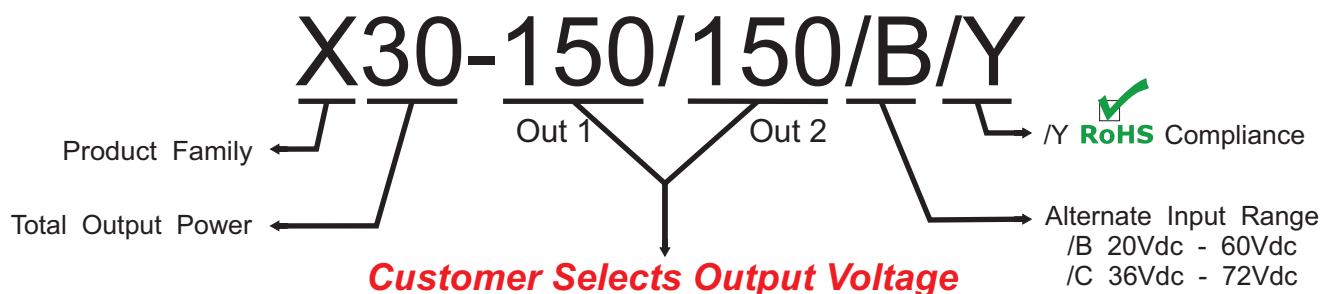
PHYSICAL SPECIFICATIONS

Dimensions	2.6 x 3.0 x 0.84 inches	Case Material	Nickel Plated Metal
Weight	8.4 Oz		(With Non-Conductive Base Plate)



X30 SERIES 30 WATT HIGH VOLTAGE DC/DC CONVERTERS

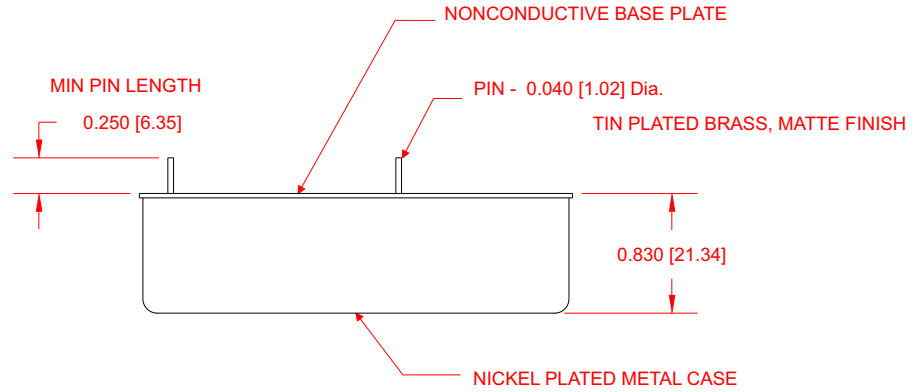
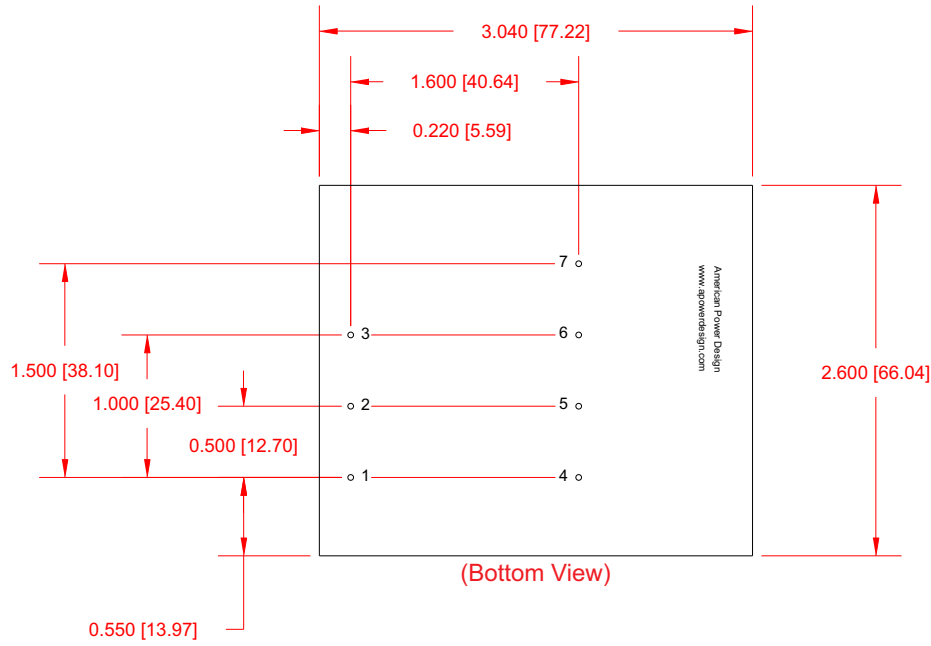
REPRESENTATIVE MODEL LISTING									
OUTPUT SPECS				MODEL NUMBER / INPUT RANGE					
VOLTAGE		CURRENT		9-36VDC		20-60VDC		36-72VDC	
OUT #1	OUT #2	OUT #1	OUT #2	Non-RoHs	RoHs	Non-RoHs	RoHs	Non-RoHs	RoHs
24 Vdc	-	1.2 A	-	X30-24	X30-24/Y	X30-24/B	X30-24/B/Y	X30-24/C	X30-24/C/Y
24 Vdc	24Vdc	625 mA	625 mA	X30-24/24	X30-24/24/Y	X30-24/24/B	X30-24/24/B/Y	X30-24/24/C	X30-24/24/C/Y
48 Vdc	-	625 mA	-	X30-48	X30-48/Y	X30-48/B	X30-48/B/Y	X30-48/C	X30-48/C/Y
48 Vdc	48Vdc	312 mA	312 mA	X30-48/48	X30-48/48/Y	X30-48/48/B	X30-48/48/B/Y	X30-48/48/C	X30-48/48/C/Y
50 Vdc	-	600 mA	-	X30-50	X30-50/Y	X30-50/B	X30-50/B/Y	X30-50/C	X30-50/C/Y
50Vdc	50 Vdc	300 mA	300 mA	X30-50/50	X30-50/50/Y	X30-50/50/B	X30-50/50/B/Y	X30-50/50/C	X30-50/50/C/Y
75Vdc	-	400 mA	-	X30-75	X30-75/Y	X30-75/B	X30-75/B/Y	X30-75/C	X30-75/C/Y
75 Vdc	75 Vdc	200 mA	200 mA	X30-75/75	X30-75/75/Y	X30-75/75/B	X30-75/75/B/Y	X30-75/75/C	X30-75/75/C/Y
100 Vdc	-	300 mA	-	X30-100	X30-100/Y	X30-100/B	X30-100/B/Y	X30-100/C	X30-100/C/Y
100 Vdc	100Vdc	150 mA	150 mA	X30-100/100	X30-100/100/Y	X30-100/100/B	X30-100/100/B/Y	X30-100/100/C	X30-100/100/C/Y
150 Vdc	-	200 mA	-	X30-150	X30-150/Y	X30-150/B	X30-150/B/Y	X30-150/C	X30-150/C/Y
150 Vdc	150 Vdc	100 mA	100 mA	X30-150/150	X30-150/150/Y	X30-150/150/B	X30-150/150/B/Y	X30-150/150/C	X30-150/150/C/Y
200 Vdc	-	150 mA	-	X30-200	X30-200/Y	X30-200/B	X30-200/B/Y	X30-200/C	X30-200/C/Y
200Vdc	200Vdc	75 mA	75 mA	X30-200/200	X30-200/200/Y	X30-200/200/B	X30-200/200/B/Y	X30-200/200/C	X30-200/200/C/Y
300 Vdc	-	100 mA	-	X30-300	X30-300/Y	X30-300/B	X30-300/B/Y	X30-300/C	X30-300/C/Y
300 Vdc	300 Vdc	50 mA	50 mA	X30-300/300	X30-300/300/Y	X30-300/300/B	X30-300/300/B/Y	X30-300/300/C	X30-300/300/C/Y
400Vdc	-	75 mA	-	X30-400	X30-400/Y	X30-400/B	X30-400/B/Y	X30-400/C	X30-400/C/Y
400Vdc	400 Vdc	37 mA	37 mA	X30-400/400	X30-400/400/Y	X30-400/400/B	X30-400/400/B/Y	X30-400/400/C	X30-400/400/C/Y
500 Vdc	-	60 mA	-	X30-500	X30-500/Y	X30-500/B	X30-500/B/Y	X30-500/C	X30-500/C/Y
500 Vdc	500Vdc	30 mA	30 mA	X30-500/500	X30-500/500/Y	X30-500/500/B	X30-500/500/B/Y	X30-500/500/C	X30-500/500/C/Y



The X30 Series are designed such that the customer may order any output voltage from 24Vdc to 500Vdc at no additional charge.



X30 SERIES 30 WATT HIGH VOLTAGE DC/DC CONVERTERS



PIN #	SINGLE	DUAL
1	- Input	- Input
2	On/Off	On/Off
3	+ Input	+ Input
4	No Pin	+ Output 2
5	No Pin	- Output 2
6	- Output 1	- Output 1
7	+ Output 1	+ Output 1

*Dimensions are in Inches
 [Metric equivalents in brackets]*



X30 SERIES 30 WATT HIGH VOLTAGE DC/DC CONVERTERS

APPLICATION NOTES

INPUT AND OUTPUT IMPEDANCE

The X30 Series of power converters have been designed to be stable with no external capacitors when used in low inductance input and output circuits. However, in some applications, the inductance associated with the distribution from the power source to the input of the converter can affect the stability of the converter. The addition of a 100 μF electrolytic capacitor with an ESR $< 1 \text{ Ohm}$ across the input helps ensure stability of the converter. In many applications, the user has to use decoupling capacitance at the load.

SHORT CIRCUIT PROTECTION

The X30 Series is equipped with short circuit protection. The converter will fold-back the input power whenever a short circuit is applied to its output and automatically recover after the overload condition is removed.

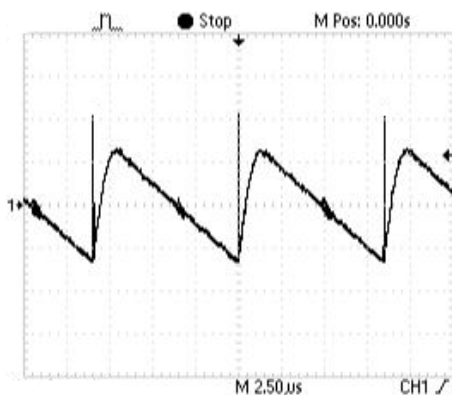
ISOLATION

The output(s) of the X30 Series is galvanically isolated from both the input and case, capacitance is $< 160\text{pF}$ and resistance is $> 10\text{G Ohm}$.

In the case of dual's, the outputs are independently isolated from one another as well as the input and case.

RIPPLE AND NOISE

Figure below shows a typical output voltage ripple waveform, measured at full rated load current with no additional output filtering. External low ESR capacitors may be added across output to further reduce ripple.



STARTUP TRANSIENT

Figure below shows a typical output voltage during turn-on, measured at 20% load current with no additional output filtering.

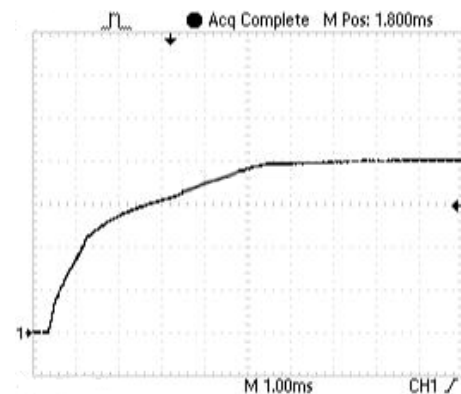
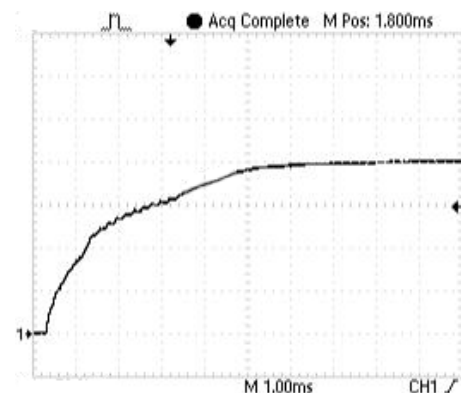


Figure below shows a typical output voltage during turn-on, measured at full rated load current with no additional output filtering.





X30 SERIES 30 WATT HIGH VOLTAGE DC/DC CONVERTERS

APPLICATION NOTES

LOAD TRANSIENT

Figure below shows a typical output voltage response, measured during a transition from full rated load current to no load current with no additional output filtering.

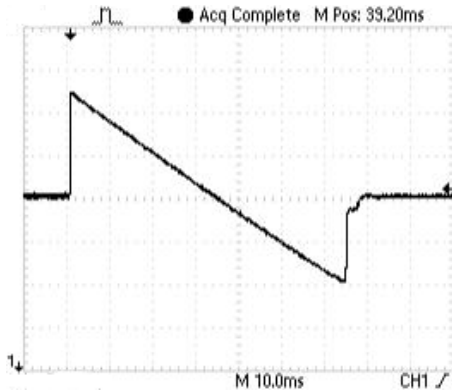
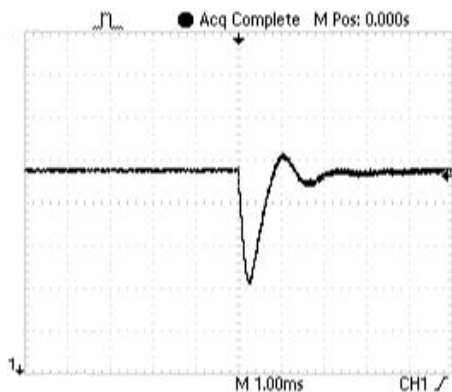


Figure below shows a typical output voltage response, measured during a transition from no load current to full rated load current with no additional output filtering.



INRUSH CURRENT

The inrush current of the X30 Series has been kept as low as possible. However, a series resistor may be inserted in the input line to limit this current further.

REMOTE ON/OFF CONTROL

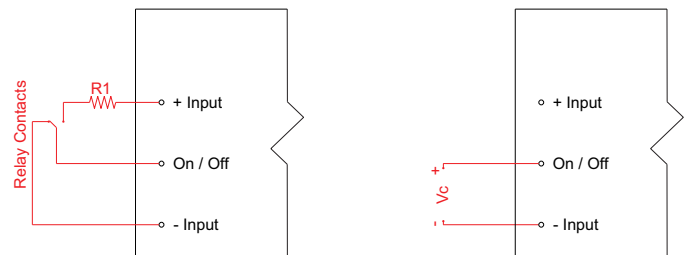
The On/Off control pin allows the user to shut down the converter mechanically or logically using a relay or a TTL or CMOS logic signal.

Connect Remote On/Off pin to -Input when not in use to ensure proper operation.

Resistor R1 can be calculated by:

$$R1 = \frac{(+ \text{ Input} - 5)}{1\text{mA}}$$

Converter Off: $V_c > 3V_{dc}$
 Converter On: $V_c < 1.5V_{dc}$



NOTE:
 Do not exceed 6Vdc on remote On/Off, otherwise, the supply may be permanently damaged.

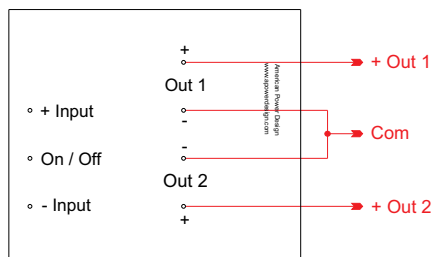


X30 SERIES 30 WATT HIGH VOLTAGE DC/DC CONVERTERS

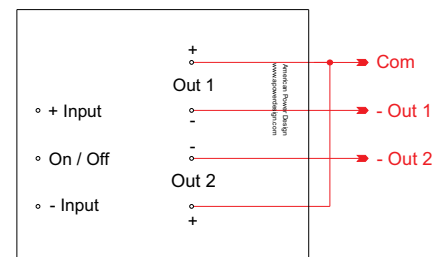
OUTPUT CONFIGURATIONS

Due to the unique independently isolated outputs of the X30 series both Output #1 and Output #2 may be connected in a wide variety configurations. The Figures below are some examples.

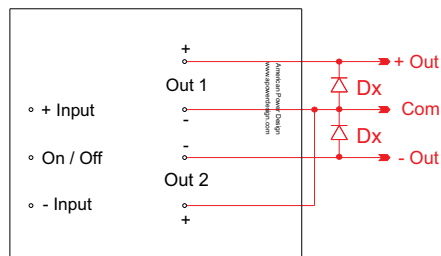
Dual Positive Output



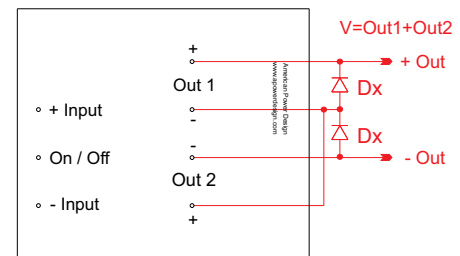
Dual Negative Output



Bipolar Output



Outputs > 500Vdc



NOTE:
The ratings of Dx should be 1.5 times the maximum current and voltage expected in each branch.

UNBALANCED OUTPUT POWER

When using a dual output converter up to 24 watts (80% of total power) can be drawn from either output. However, a minimum 6 watts (20% of total power) must be maintained on the other output.

Example: If Output #1 has a 20 watt load than Output #2 must have a minimum load of 5 watts.

NOTE:
The total power (Out 1 + Out 2) must not exceed 30 Watts.

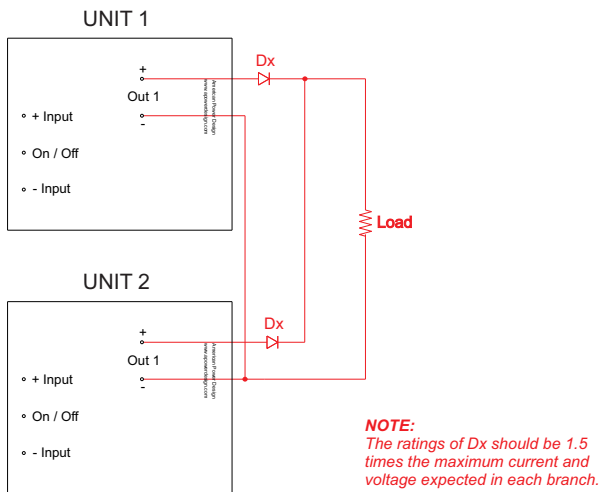


X30 SERIES 30 WATT HIGH VOLTAGE DC/DC CONVERTERS

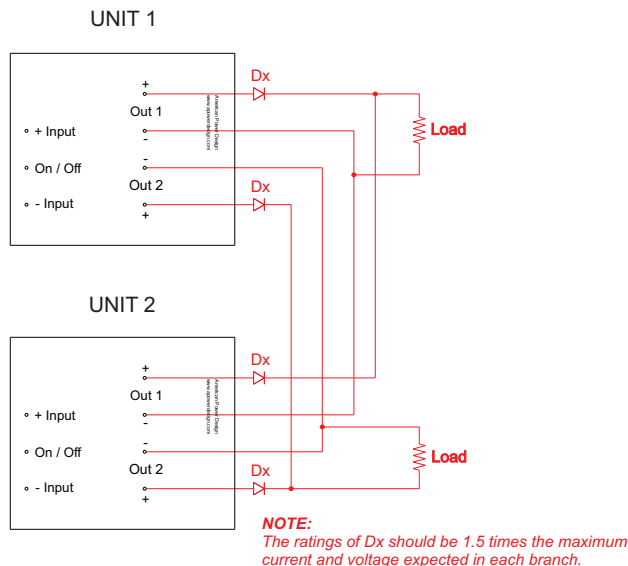
APPLICATION NOTES

CONNECTION IN PARALLEL

The figure below shows how to connect several single output units with equal nominal output voltage in parallel.



The figure below shows how to connect several dual output units with equal nominal output voltage in parallel.



CONNECTION IN SERIES

When connecting units in series, the highest achieved output voltage should remain below the rated isolation voltage.

Figure below shows how to connect multiple single output units in series with the use of shunt diodes.

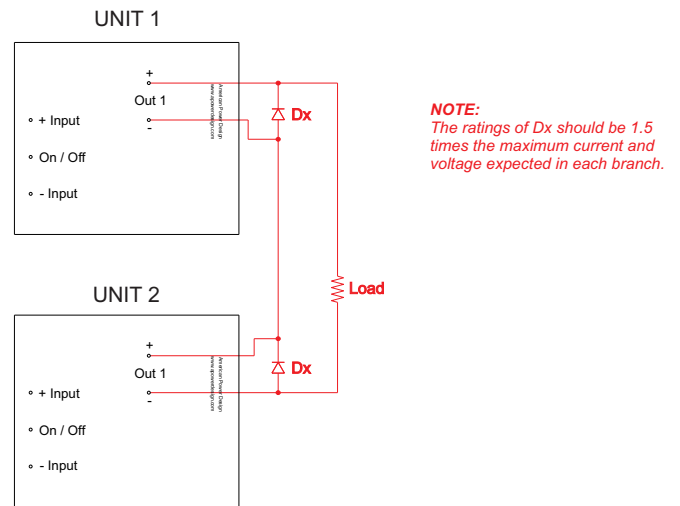
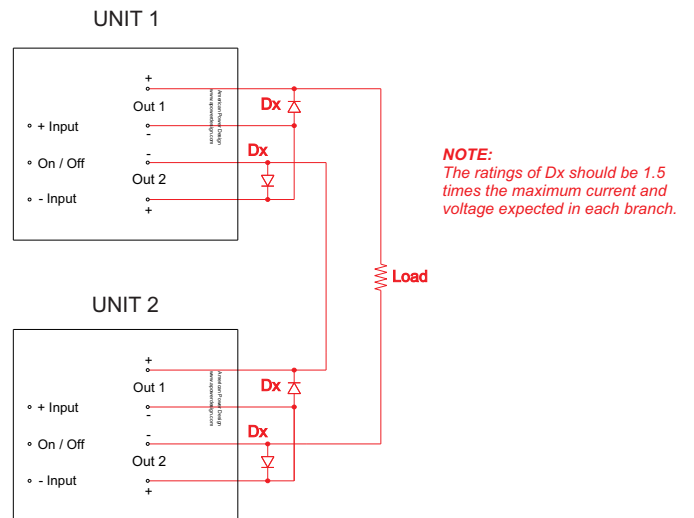


Figure below shows how to connect multiple dual output units in series with the use of shunt diodes.





X30 SERIES 30 WATT HIGH VOLTAGE DC/DC CONVERTERS

APPLICATION NOTES

CLEANING AGENTS

In order to avoid possible damage, any penetration of cleaning fluids must be prevented, since the power supplies are not hermetically sealed.

NUCLEAR AND MEDICAL APPLICATIONS

American Power Design products are not designed, intended for use in, or authorized for use as critical components in life support systems, equipment used in hazardous environments, or nuclear control systems without the express written consent of American Power Design, Inc.

TECHNICAL REVISIONS

The appearance of products, including safety agency certifications pictured on labels, may change depending on the date manufactured. Specifications are subject to change without notice.

SAFETY REQUIREMENTS

The converters are designed to meet North American and International safety regulatory requirements per UL 60950-1/CSA 22.2 No. 60950-1-07 Second Edition, IEC 60950-1:2005, and EN 60950-1:2006. Basic Insulation is provided between input and output. To comply with safety agencies requirements, an input line fuse must be used external to the converter. The table below provides the recommended fuse rating for use with this family of products.

Input Voltage Range	Fuse Rating
9-36Vdc	5.5A
20-60Vdc	2.5A
36-72Vdc	1.5A

If one input fuse is used for a group of modules, the maximum fuse rating should not exceed 10A.

WARRANTY

All products manufactured by American Power Design, Inc. (APD) are warranted to be free of defects due to material or workmanship for a period of one year from date of shipment. At our option, APD will repair or replace any non-conforming product.

APD expressly disclaims any liability for consequential or incidental damages resulting from the use or misuse of its products by the purchaser or others.

This warranty is in lieu of all warranties expressed or implied, including the warranties of merchantability. No other warranties, obligations, or liabilities are expressed or implied.

All products being returned for repair require a return material authorization(RMA) assigned by APD prior to return shipment.