



American Power Design, Inc.

"The best high voltage design solution"

H150 SERIES 150 WATT HIGH VOLTAGE DC/DC CONVERTERS



FEATURES

- * Customer Selects Output Voltages
- * Wide Input Ranges
(18-36 Vdc , 20-60 Vdc)
- * Efficiency 90% (typ.)
- * Independently Isolated Outputs
- * Six-Sided Shield Case
- * Remote On/Off Control
- * 85 kHz Switching Frequency

The H150 Series of DC/DC converters accepts wide input ranges of 18-36 Vdc, and 20-60 Vdc. Outputs are independently isolated. In the case of duals, up to 100 watts may be taken from either output. All models will tolerate a short circuit indefinitely. Also included is a Pi input filter and remote on/off.

ELECTRICAL SPECIFICATIONS

Voltage Accuracy	+/- 4%	Short Circuit Protection	Input Current Foldback
Input Regulation	+/-5%	Input Filter	Pi Network
Load Regulation	(20% to full load) +/-5%	Efficiency	90% (typ.)
Output Ripple	+/-0.5%	Switching Frequency	100 kHz
		Isolation (Input-Output(1)-Output(2)-Case)	1Kv

** 20-60 Vdc input add suffix /B*

GENERAL SPECIFICATIONS

Temp. Stability	+/- 0.02%/°C	Logic Shutdown	Logic 0 (on)
Temp. (Operating, Case)	-45 to +85°C	EMI/RFI	Six-Sided Shield
Temp. (Storage)	-55 to +100°C	Temp. Derating	None
		Cooling	Convection or Forced Air

** All models designed to meet UL 60950
* For RoHS Compliant part, add suffix /Y*

PHYSICAL SPECIFICATIONS

Dimensions	3.5 x 5.5 x 0.92 Inches	Case Material	Black Coated Metal (With Non-Conductive Base Plate)
Weight	20.4 Oz		

(Optional heat sinks & terminal strips available)



American Power Design, Inc.

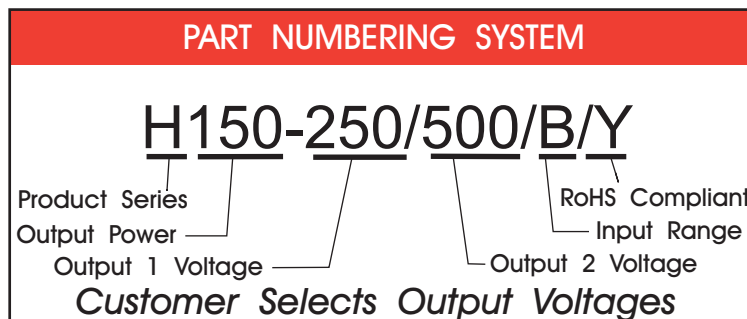
"The best high voltage design solution"

H150 SERIES 150 WATT HIGH VOLTAGE DC/DC CONVERTER

REPRESENTATIVE MODEL LISTING						
MODEL NUMBER	INPUT SPECIFICATIONS		OUTPUT SPECIFICATIONS			
	VOLTAGE	CURRENT	OUTPUT #1		OUTPUT #2	
			VOLTAGE	CURRENT	VOLTAGE	CURRENT
H150-50	18V - 36V	9.2A - 4.6A	50V	3000ma	-	-
H150-50/50	18V - 36V	9.2A - 4.6A	50V	1500ma	50v	1500ma
H150-75	18V - 36V	9.2A - 4.6A	75V	2000ma	-	-
H150-75/75	18V - 36V	9.2A - 4.6A	75V	1000ma	75v	1000ma
H150-100	18V - 36V	9.2A - 4.6A	100V	1500ma	-	-
H150-100/100	18V - 36V	9.2A - 4.6A	100V	750ma	100v	750ma
H150-150	18V - 36V	9.2A - 4.6A	150V	1000ma	-	-
H150-150/150	18V - 36V	9.2A - 4.6A	150V	500ma	150v	500ma
H150-200	18V - 36V	9.2A - 4.6A	200V	750ma	-	-
H150-200/200	18V - 36V	9.2A - 4.6A	200V	375ma	200v	375ma
H150-300	18V - 36V	9.2A - 4.6A	300V	500ma	-	-
H150-300/300	18V - 36V	9.2A - 4.6A	300V	250ma	300v	250ma
H150-400	18V - 36V	9.2A - 4.6A	400V	375ma	-	-
H150-400/400	18V - 36V	9.2A - 4.6A	400V	187ma	400v	187ma
H150-500	18V - 36V	9.2A - 4.6A	500V	300ma	-	-
H150-500/500	18V - 36V	9.2A - 4.6A	500V	150ma	500v	150ma

* 20-60 Vdc Input add suffix /B

* RoHS Compliant add suffix /Y

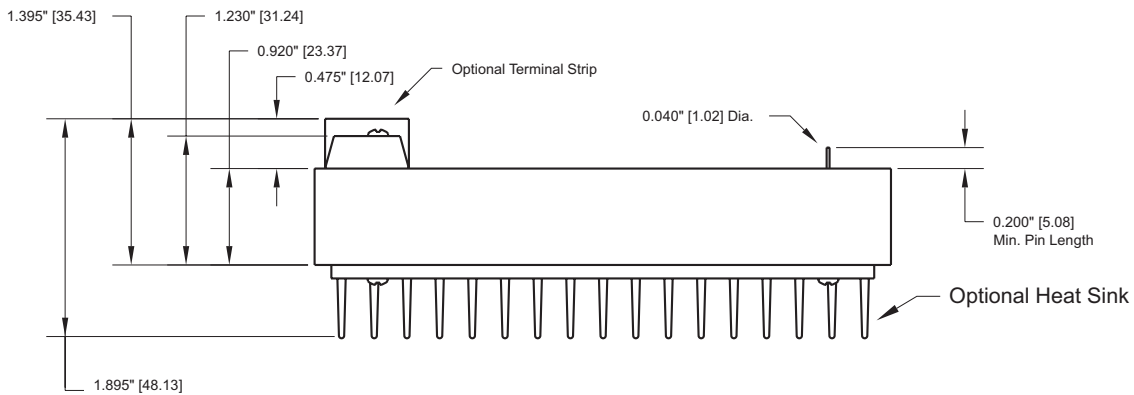
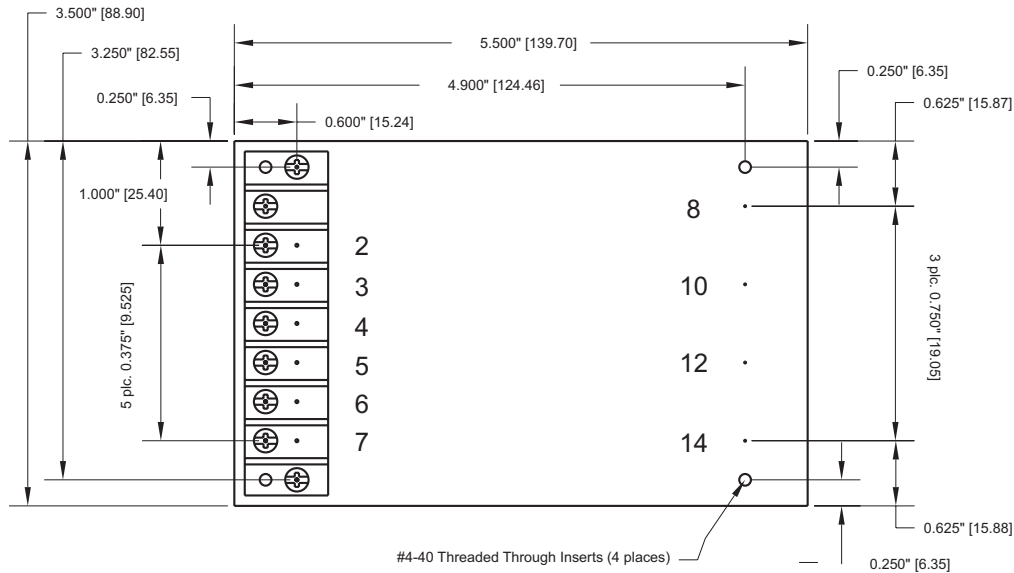




American Power Design, Inc.

"The best high voltage design solution"

H150 SERIES 150 WATT HIGH VOLTAGE DC/DC CONVERTER



Pin #	Single	Dual
2,3	- INPUT	- INPUT
4,5	+ INPUT	+ INPUT
6	ON/OFF	ON/OFF
7	CASE	CASE
8	N/C	OUTPUT 2 +
10	N/C	OUTPUT 2 -
12	OUTPUT 1 +	OUTPUT 1 +
14	OUTPUT 1 -	OUTPUT 1 -

Dimensions are in Inches
[Metric equivalents in brackets]